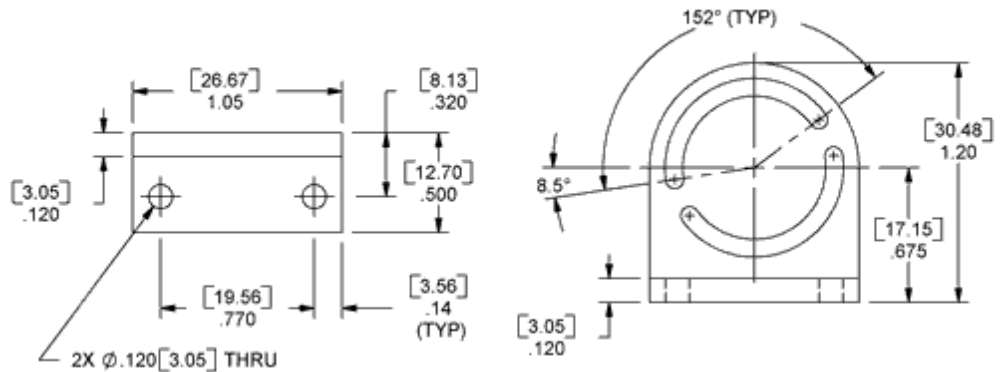
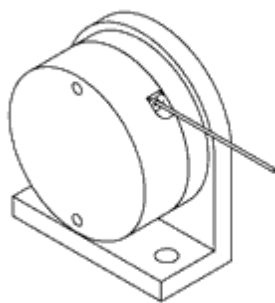


Mounting Bases and Accessories

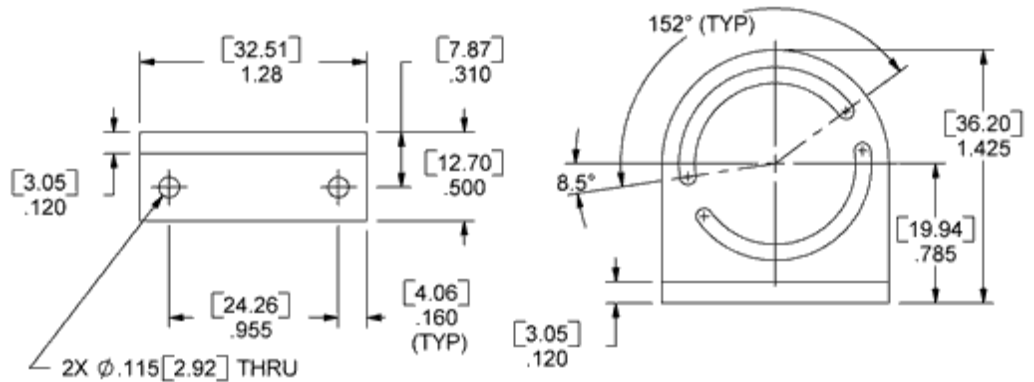
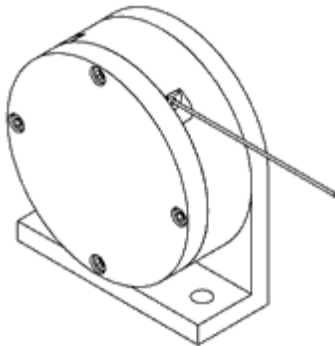
Components For Mounting, Installing, and Using Cable-Type Position Transducers

Mounting Bases

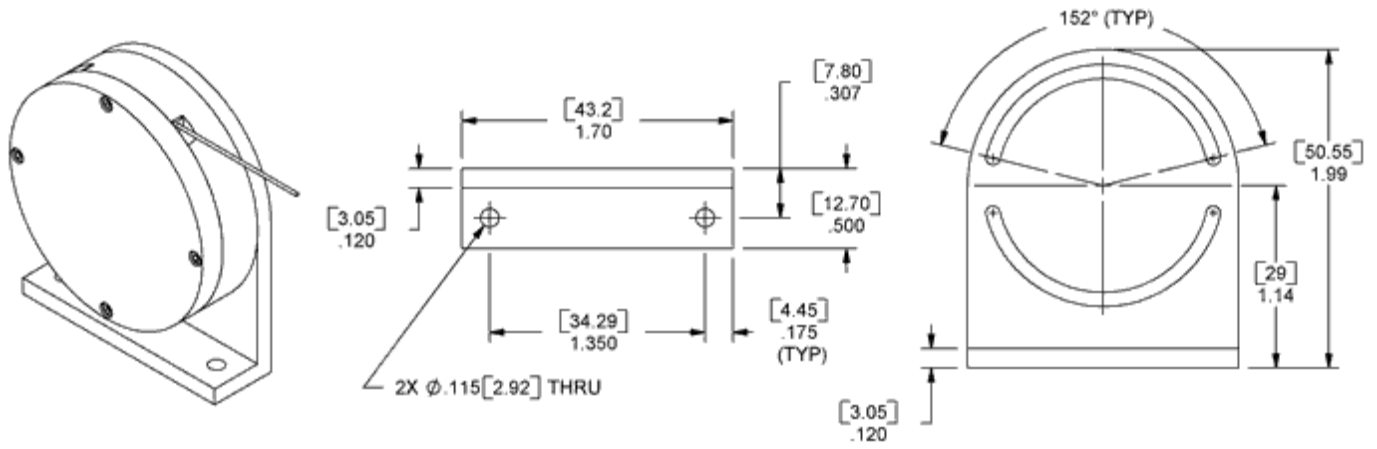
base: L (150/170) pn 150015 upright mounting; allows for rotation in one axis; transducer not included



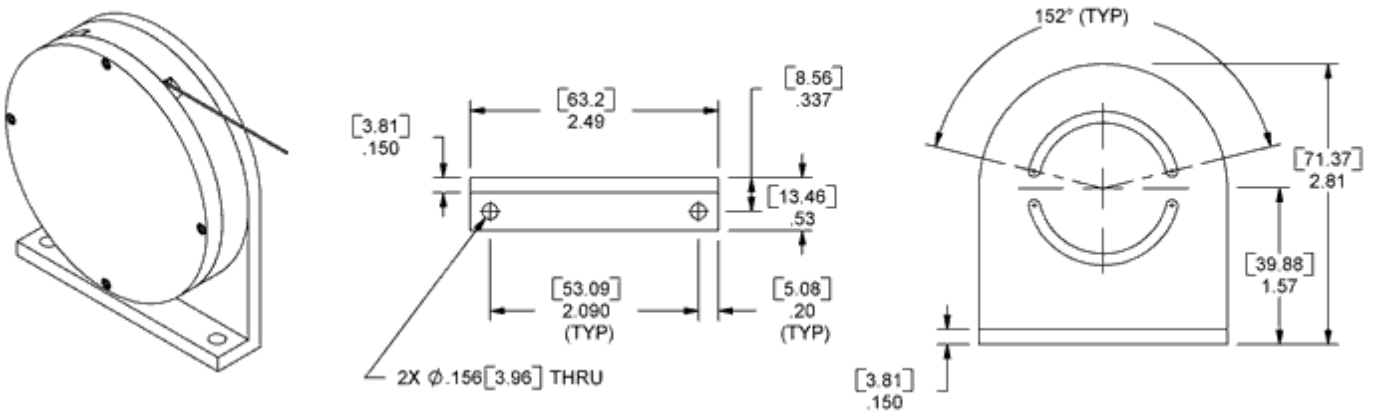
base: L (173) pn 173015 upright mounting; allows for rotation in one axis; transducer not included



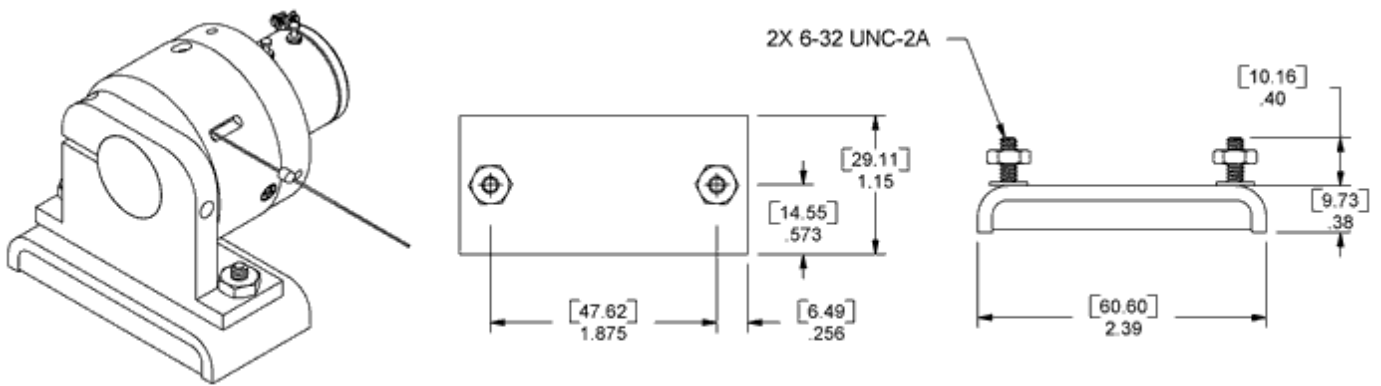
base: L (174/175) pn 174015 upright mounting; allows for rotation in one axis; transducer not included



base: L (176) pn 176015 upright mounting; allows for rotation in one axis; transducer not included

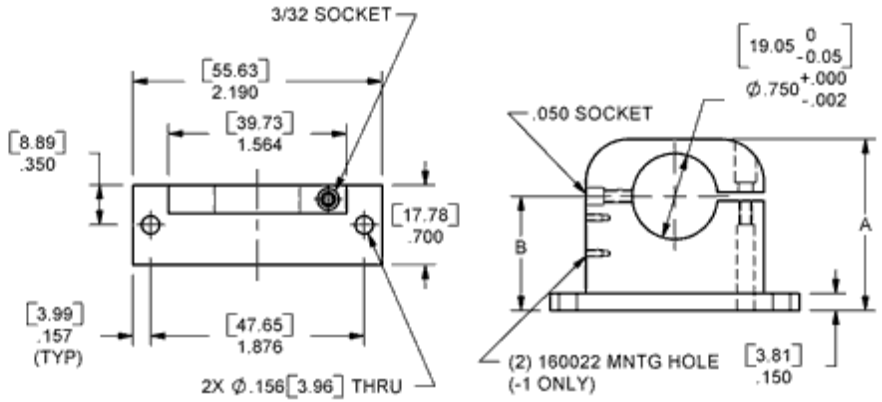
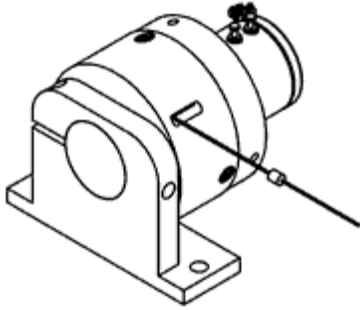


base: magnet (\_6\_) pn 160005 gives magnetic mounting capability to \_6\_ standard and universal bases; transducer not included



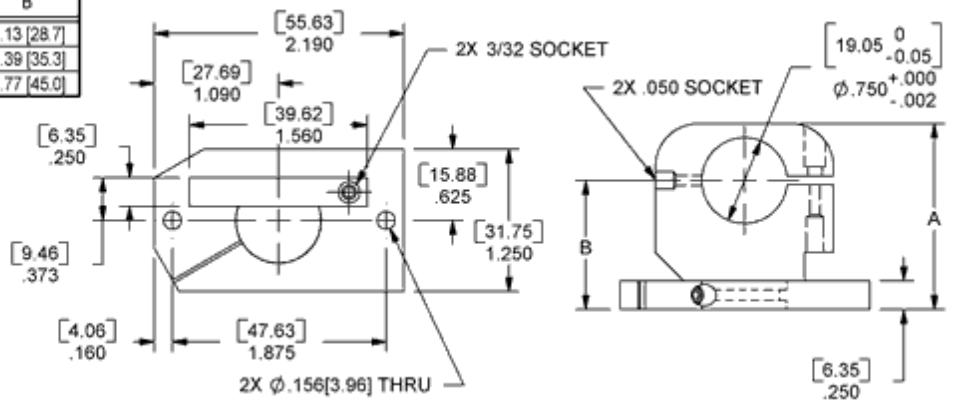
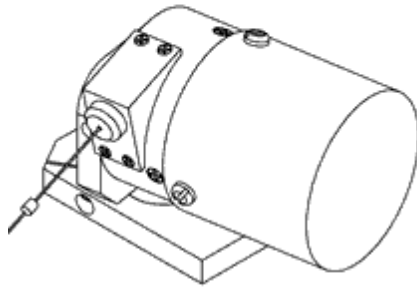
base: standard (\_6\_) pn 160015- upright mounting; allows 360° rotation about one axis; transducer not included

DASH#	A	B
-1	1.50 [38.1]	1.00 [25.4]
-3	1.81 [46.0]	1.31 [33.3]
-5	2.19 [55.6]	1.69 [42.9]

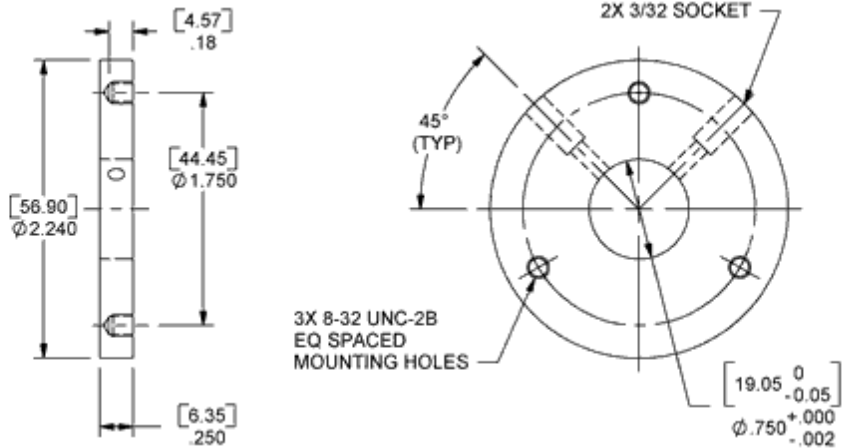
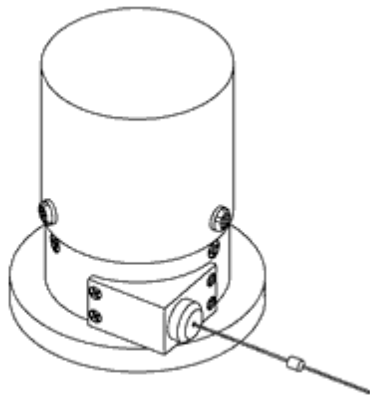


base: universal (\_6\_) pn 160030- upright mounting; allows pivoting about two axes; transducer not included

DASH#	A	B
-1	1.64 [41.7]	1.13 [28.7]
-3	1.90 [48.3]	1.39 [35.3]
-5	2.28 [57.9]	1.77 [45.0]

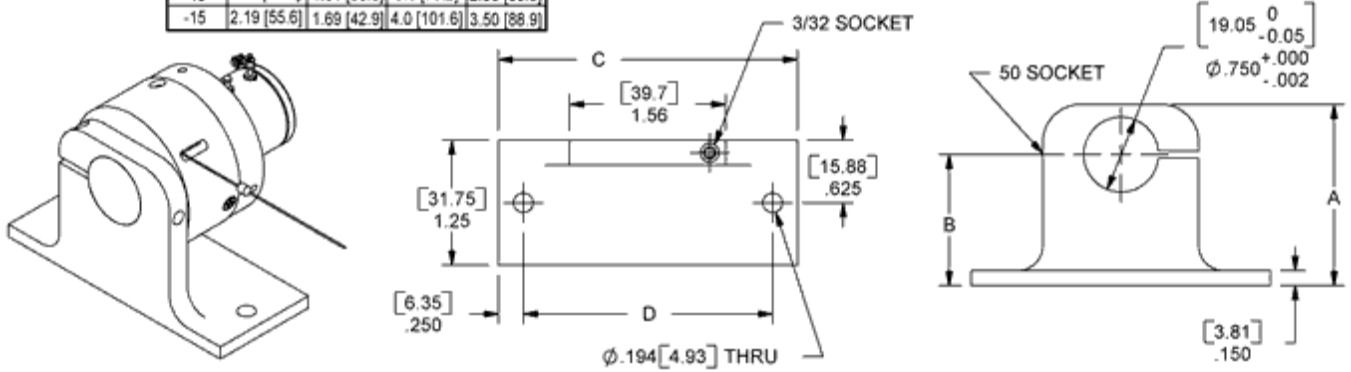


base: mounting disk (\_6\_) pn 160040-1 for prone mounting with 360° rotation about one axis; transducer not included

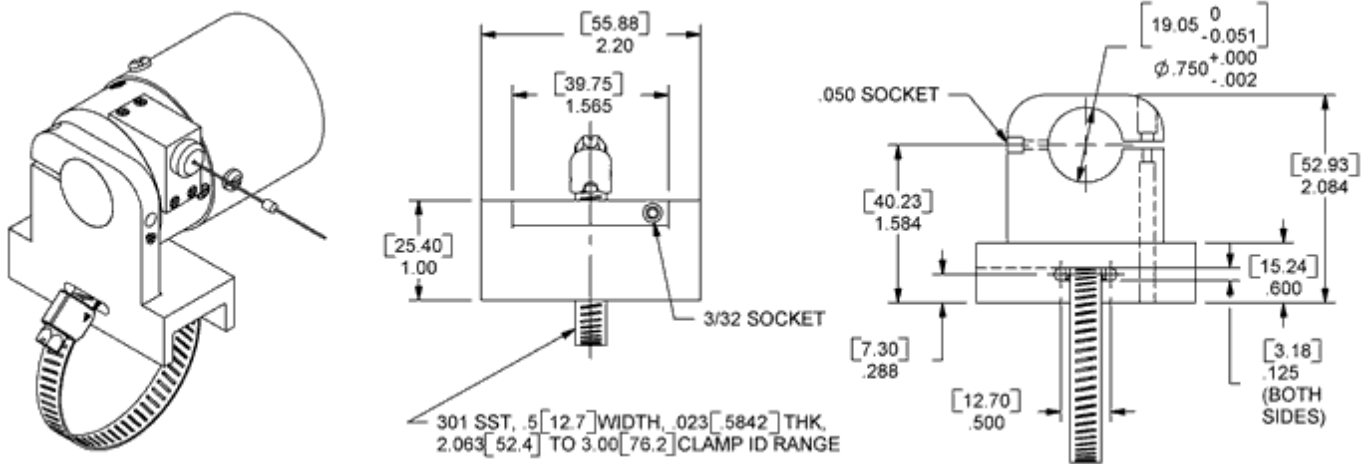


base: big foot (\_6\_) pn 160015-1 similar to base: standard with broader base for easier mounting screw access; transducer not included

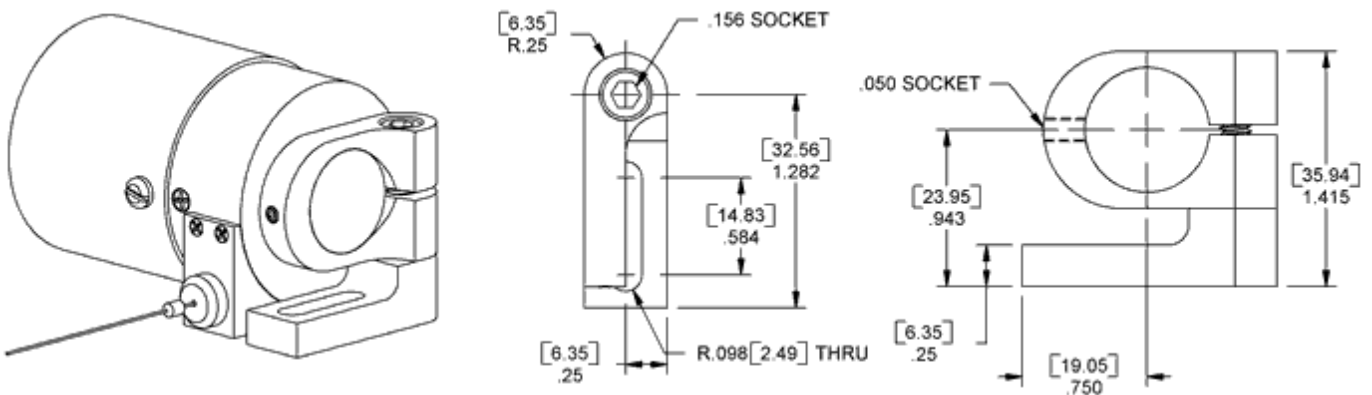
DASH#	A	B	C	D
-13	1.81 [46.0]	1.31 [33.3]	3.0 [76.2]	2.50 [63.5]
-15	2.19 [55.6]	1.69 [42.9]	4.0 [101.6]	3.50 [88.9]



base: h (\_60) pn 160015-G1 similar to base: standard with slot for strap clamp attachment; transducer not included



base: universal (miniature) (\_60) pn 300460 upright mounting; allows rotation about two axes; transducer not included



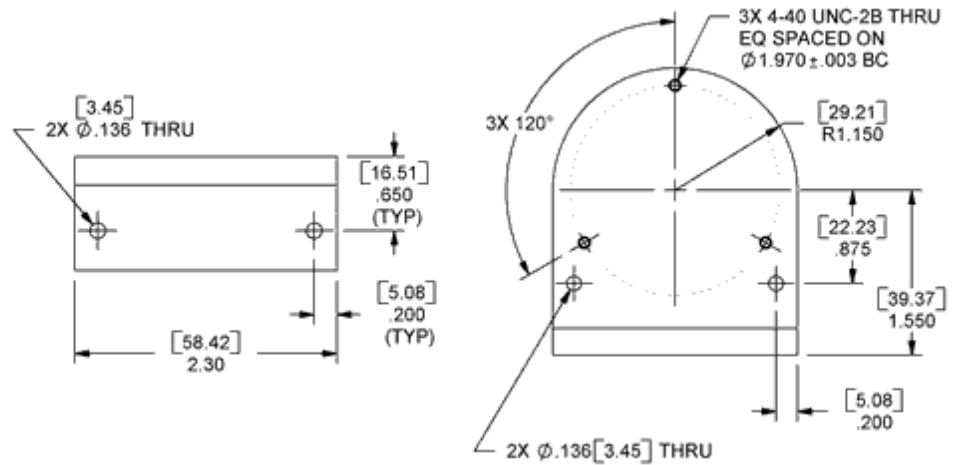
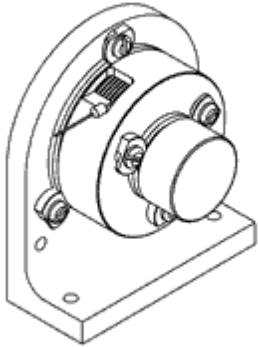
cam lock: 4-40 X 1/4 pn 300278



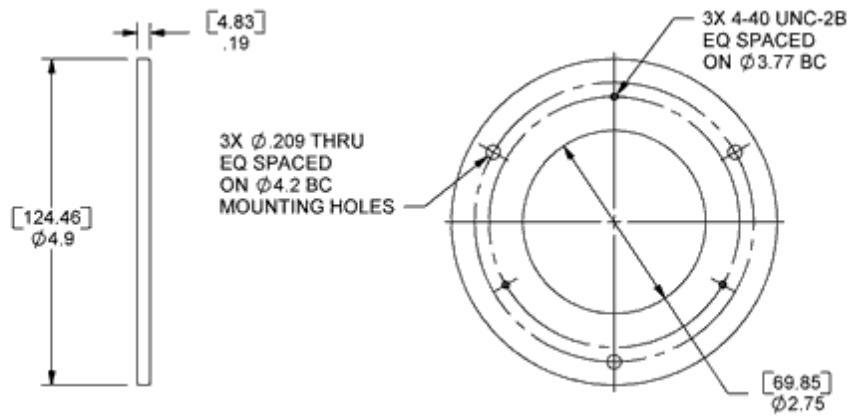
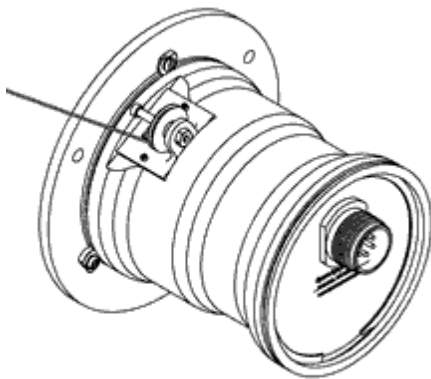
cam lock: M3 X 0.5 X 8 pn 300838



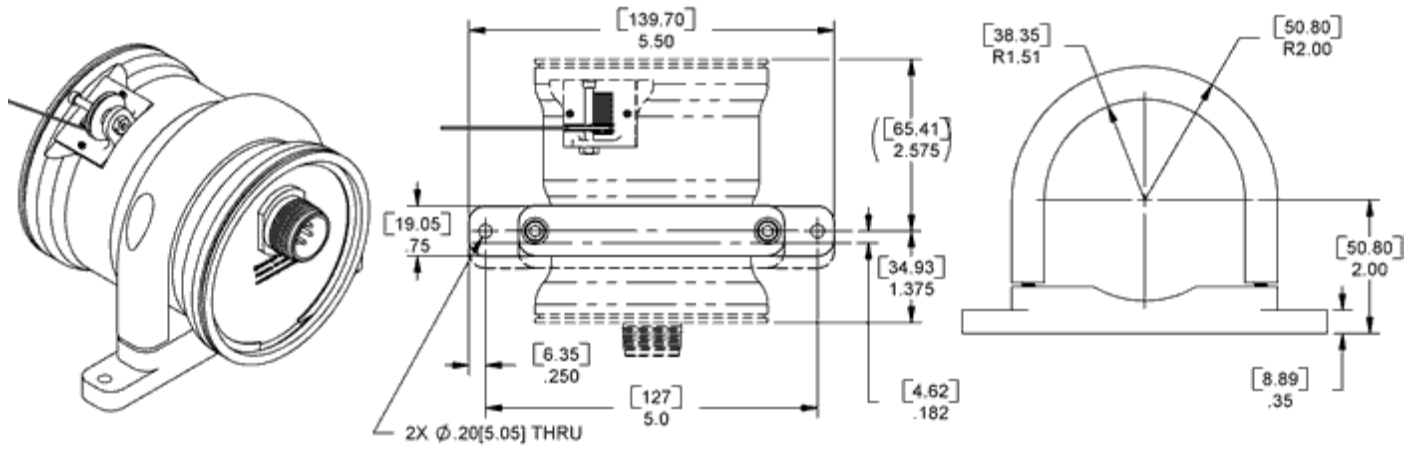
base: L and flat pn 300903 allows for upright (L) or flat mounting; transducer not included



base: flat pn 300923; transducer not included

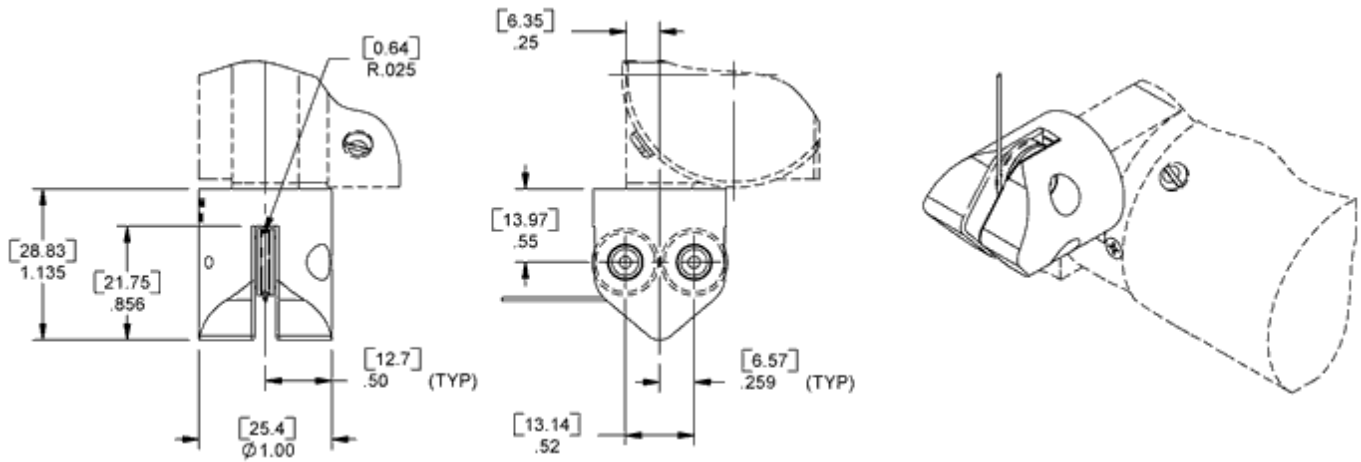


base: saddle pn 300952; transducer not included

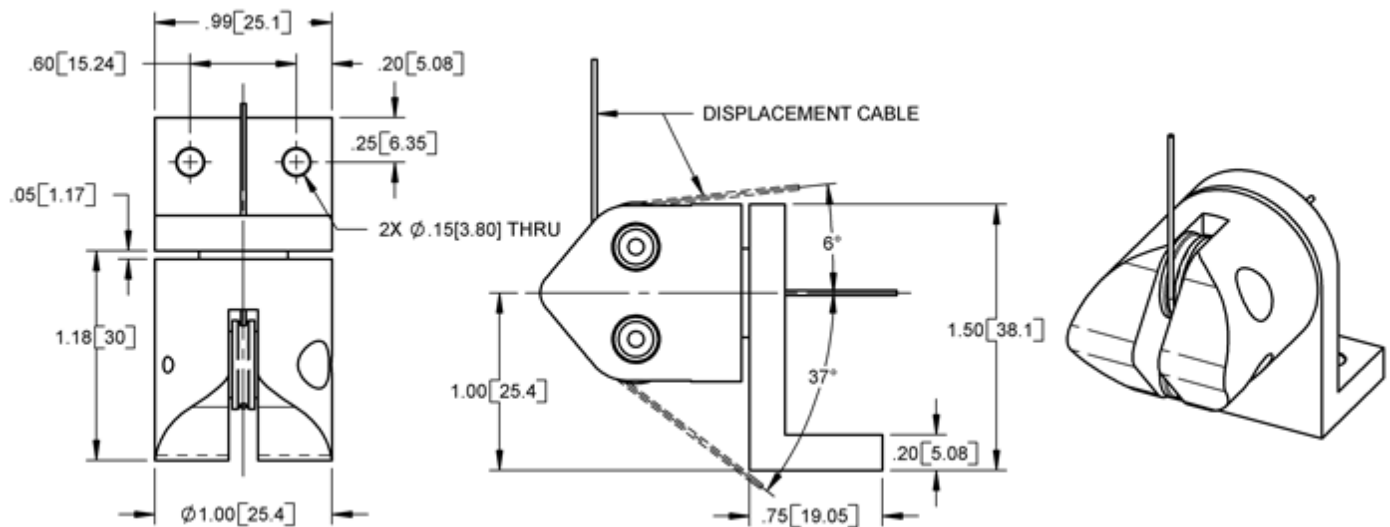


## Accessories

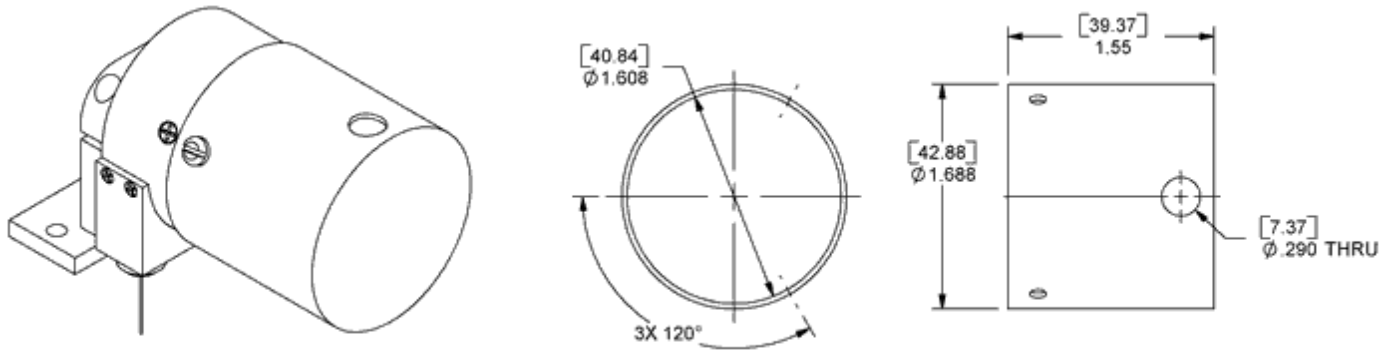
[RoundAbout™ cable guide](#) pn 301224 gives 360° by 317° displacement cable orientation flexibility; transducer not included



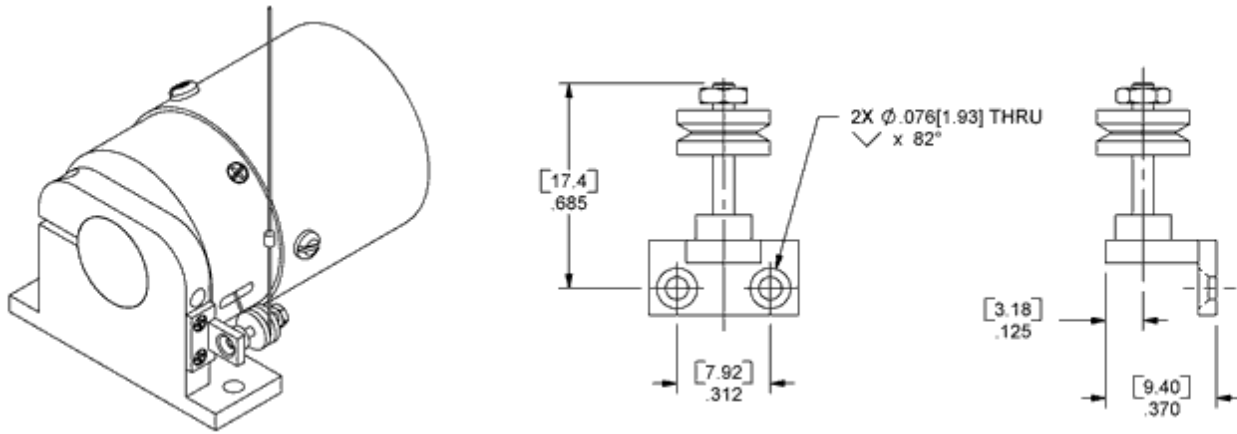
[RoundAbout™ cable guide with mounting base](#) pn 301225 gives 360° by 317° displacement cable orientation flexibility



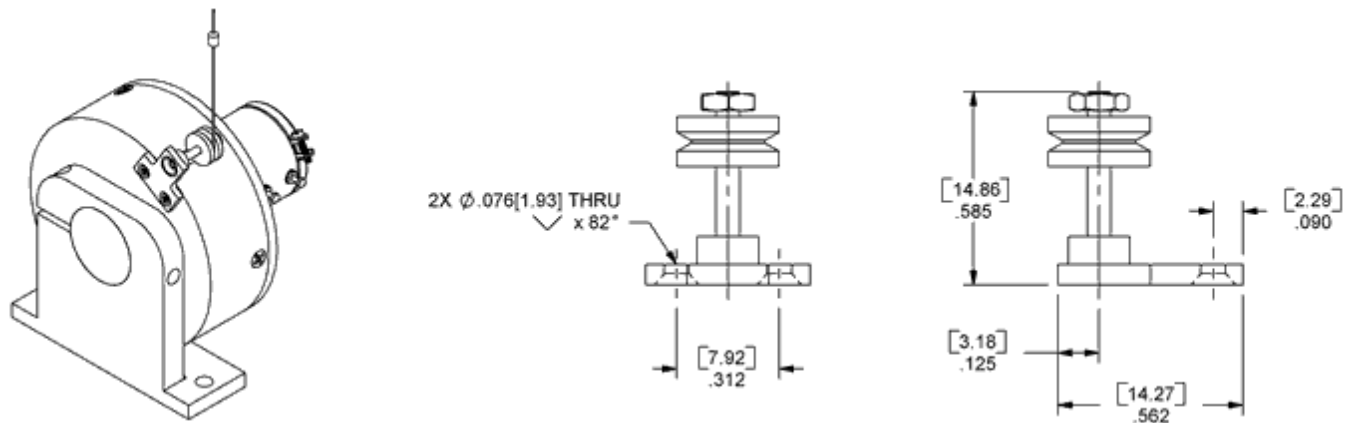
sensor cover pn 160060 protects sensor from adverse elements; transducer not included



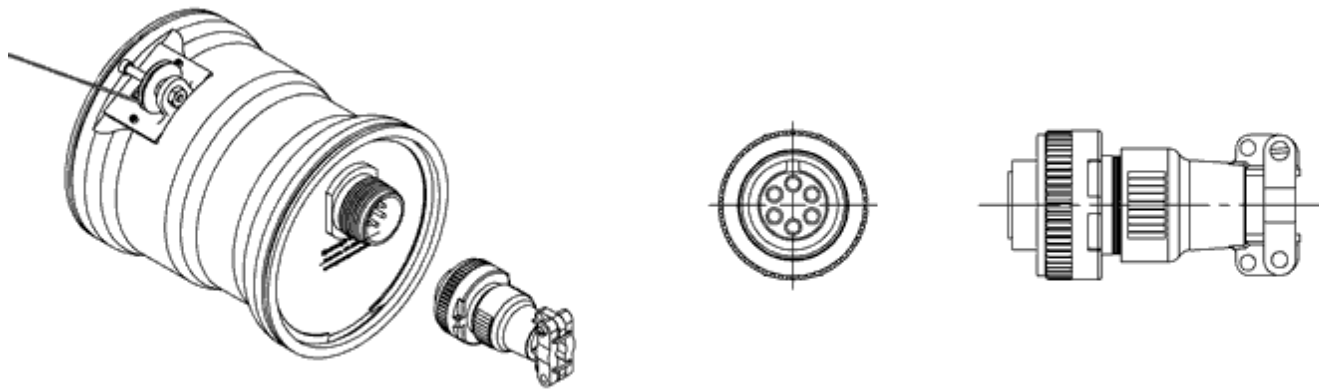
idler pn 160022 compensates for off-center cable travel (\_60); idler will reduce displacement cable life; idler not recommended for -070 or -080 springs; idler recommended for use only with 0.018-inch (0.46-mm) dia. displacement cable; transducer not included



idler pn 161022 compensates for off-center cable travel (\_61/\_62); idler will reduce displacement cable life; idler not recommended for -070 or -080 springs; idler recommended for use only with 0.018-inch (0.46-mm) dia. displacement cable; transducer not included



electrical connector: MS3106F-14S-6S, 6 pin, strain relief, mating pn 300853 mating connector to MS3106A-14S-6P



installation kit pn 160001-01 assists with mounting, displacement cable crimping, and related activities

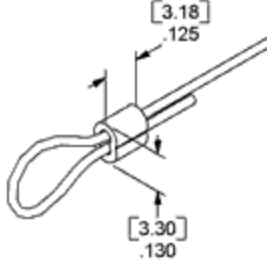
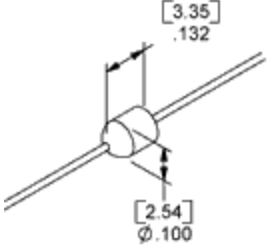
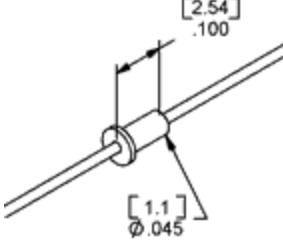
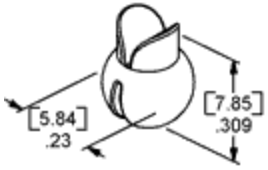
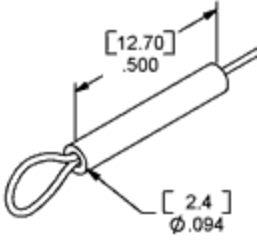
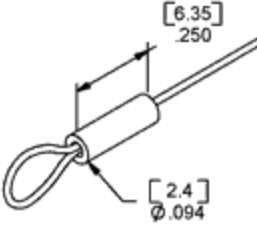
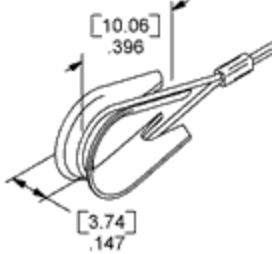
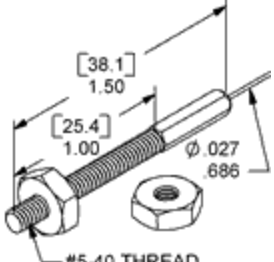
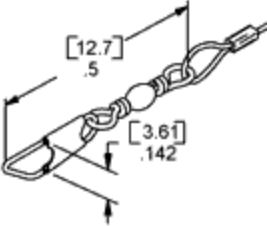
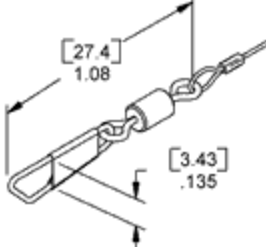
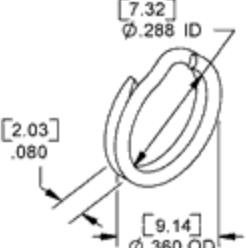


#### Contents:

- 300689 displacement cable cutting shears (1)
- 300692 annealing heat source / matches (1)
- 160000 hex wrench (3 sizes)
- 300695 screwdriver (1)
- 300687 crimp tool (1)
- 300292 copper sleeve, 0.25 in (10)
- 160032 copper sleeve, 0.50 in (10)
- 300400 thimble (10)
- 300688 ball-end plug (20)
- 300196 loop sleeve (40)
- 160026 brass swivel (10)
- 301003 nickel swivel (10)
- 300495 pull ring (10)
- 300899 threaded plug (5)
- C40.0 0.018-inch (0.4572 mm) dia. 7-by-7 displacement cable (10 feet (3.048 m))
- C90.0 0.027-inch (0.6858 mm) dia. 7-by-7 displacement cable (10 feet (3.048 m))

## Displacement Cable Terminations



 <p>loop sleeve pn 300196</p>	 <p>ball-end plug pn 300688</p>	 <p>eyelet pn 160032-1</p>	 <p>temporary cable stop pn 300361</p>
 <p>copper sleeve: long pn 160032</p>	 <p>copper sleeve: short pn 300292</p>	 <p>thimble pn 300400</p>	 <p>threaded plug pn 300899</p>
 <p>swivel: snap, brass, 10-lb (44.5-N) nominal min breaking strength pn 160026</p>	 <p>swivel: snap, nickel, 40-lb (178-N) nominal min breaking strength pn 301003</p>	 <p>pull ring pn 300495</p>	

All dimensions are REFERENCE and are in inches [mm] Document number: S021R(041026)

[Firstmark Controls](http://www.firstmarkcontrols.com) • [info@firstmarkcontrols.com](mailto:info@firstmarkcontrols.com)  
 An ISO9001:2000/AS9100B-Compliant Company  
 1176 Telecom Drive • Creedmoor, NC 27522 USA  
 Phone: 1-919-956-4203 • Fax: 919-682-3786 • Toll Free: 1-866-912-6232

Business hours: Mon-Fri, 8:00am to 5:00pm (Eastern time)  
 All specifications subject to change without notice.  
 © 1996-2008 Firstmark Controls All rights reserved.

[top](#)

[News](#) • [Representatives](#) • [Request Literature](#) • [CAD Models](#) • [Calculators](#)

[top](#)