

Figure 1 - Mounting Base Facing “Out” Versus “In”
(remove 3 existing screws, flip transducer, re-install screws)

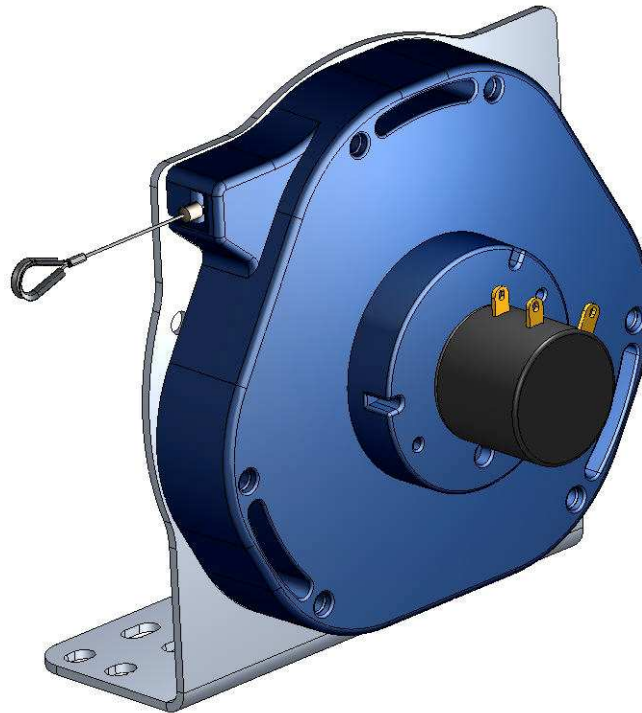
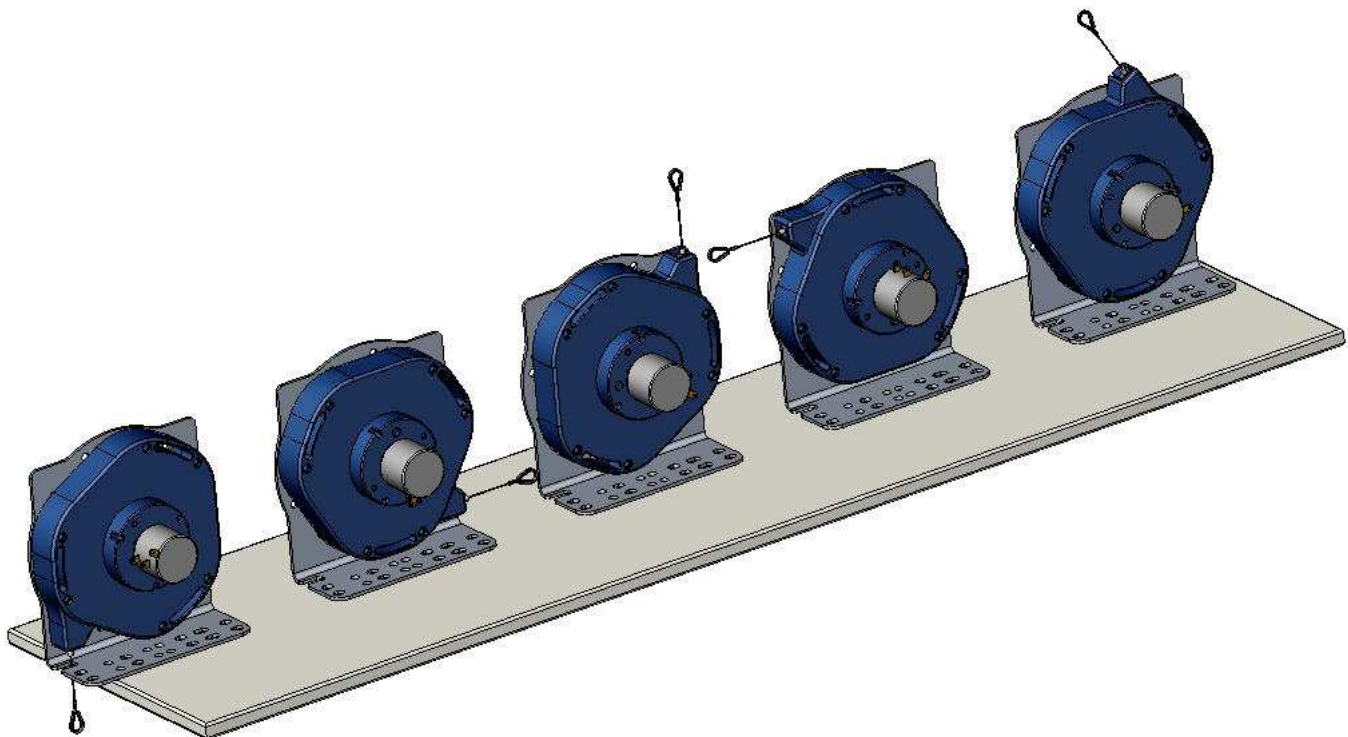


Figure 2 - Fixed-Hole Mounting Options
(20° angular increments, plus intermediate fixed locations)



Slot Mounting Option (Custom Angular Alignment)

Figure 3 - 360° angular orientation variability (infinite rotation resolution) is possible using 3 slots in housing and various mounting holes in the base.

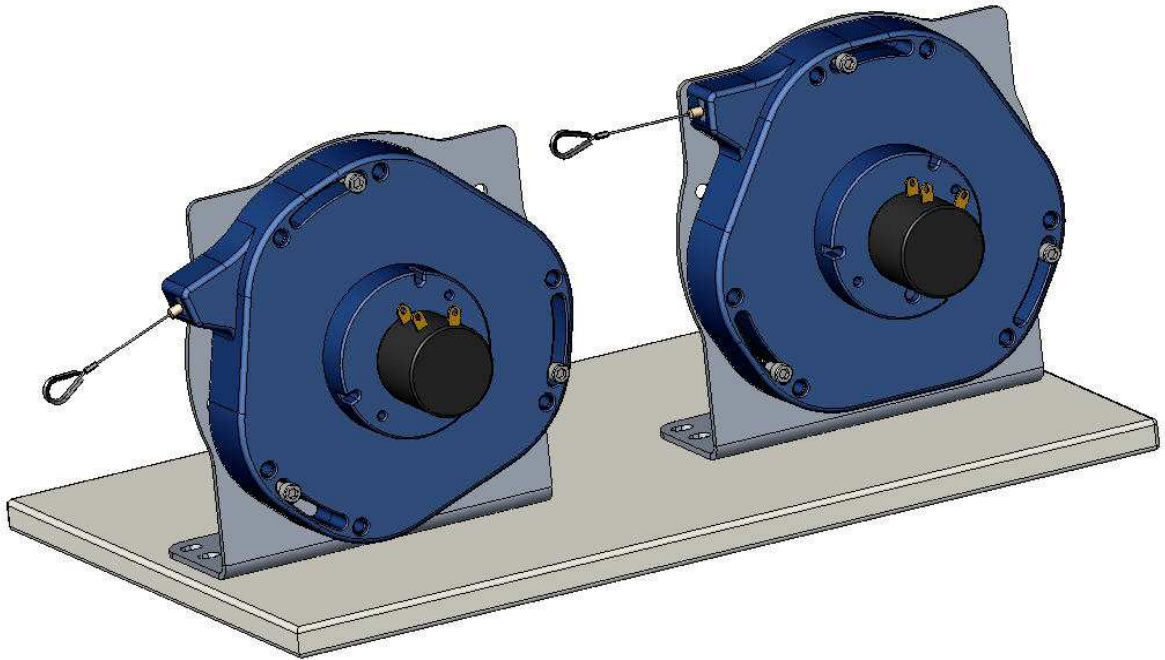
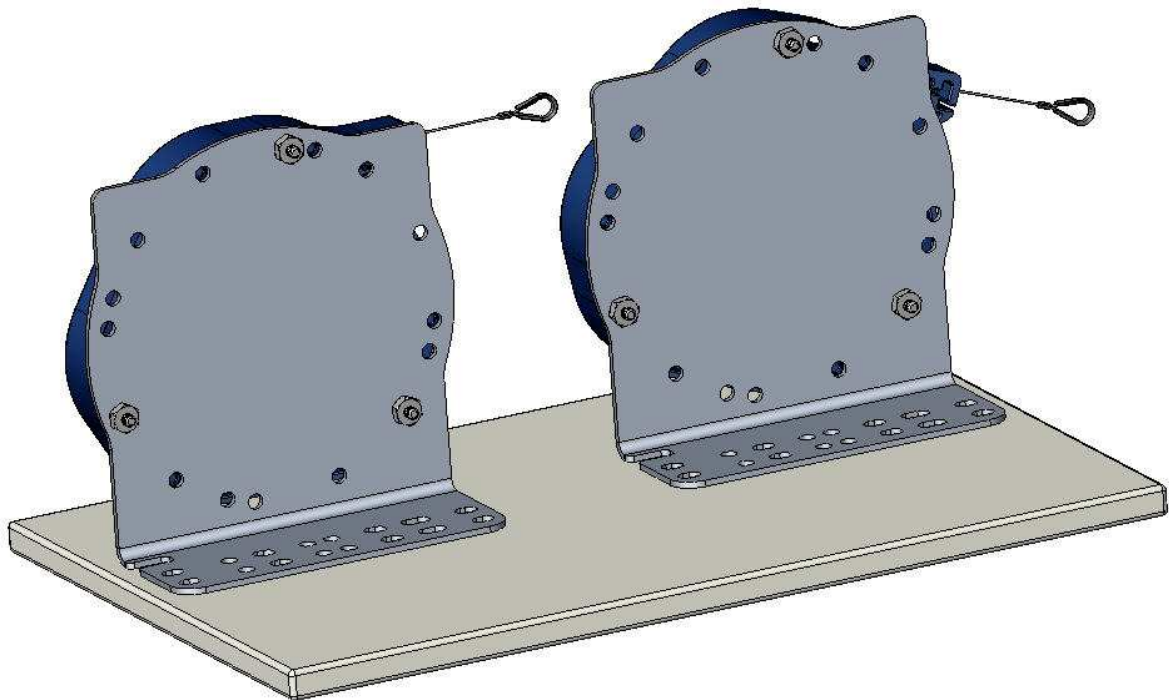


Figure 4 - User-furnished bolts and nuts (3 each No. 4 or 3 mm bolt & nut; bolt length of .75 inch (19.05 mm) minimum) install through housing and holes in base.



RoundAbout™ Cable Exit

Figure 5 - The RoundAbout™ cable exit is pre-installed in the location shown below, on the left. Two other locations are possible, as shown in Figure 7.

RoundAbout™ cable exit comes pre-installed (three mounting orientations are possible)

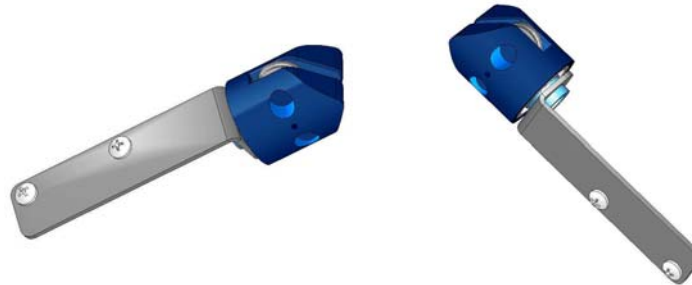
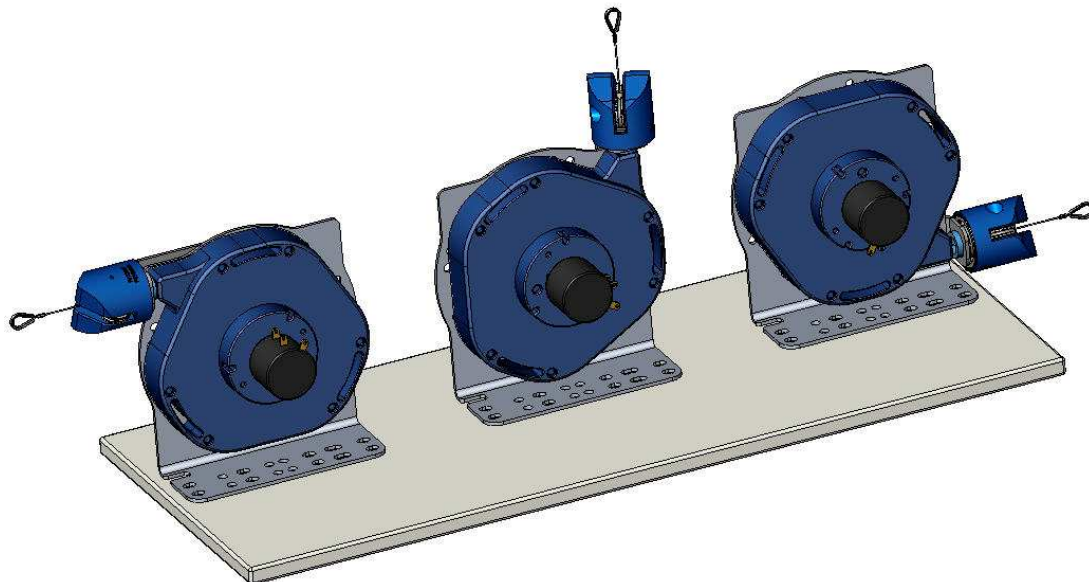


Figure 6 – The RoundAbout™ cable exit is factory-installed using self-tapping screws (supplied). To change the location, remove all 4 screws attached to the mounting base, rotate the transducer to new orientation, and re-install screws.



Series M Mounting Options and Ideas



Figure 7 – RoundAbout™ cable exit mounting alternatives allow for flexible displacement cable exit orientation and dynamic 3D motion tracking.

